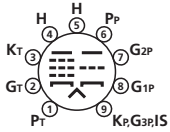


### 6AN8

Eh=6.3V  
Ih=0.45A

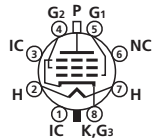


Max Operating  
Pentode

Eb=330V Ploss=2.3W  
Ec2=300V G2loss=0.55W  
Rg1=1MΩ(Fixed Bias)/250kΩ(Self Bias)  
Ehk+=100V Ehk-=200V

### 12G-B3

Eh=12.6V  
Ih=0.6A

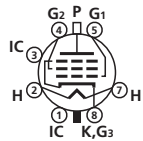


Max Operating

Eb=600V Ploss=11W  
Ec2=220V C2loss=5.5W  
Rg1=500kΩ(both Fix and K)  
Ehk+=220V Ehk-=110V

### 25E5

Eh=25V  
Ih=0.3A

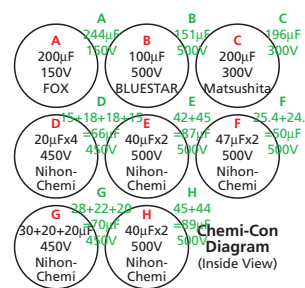
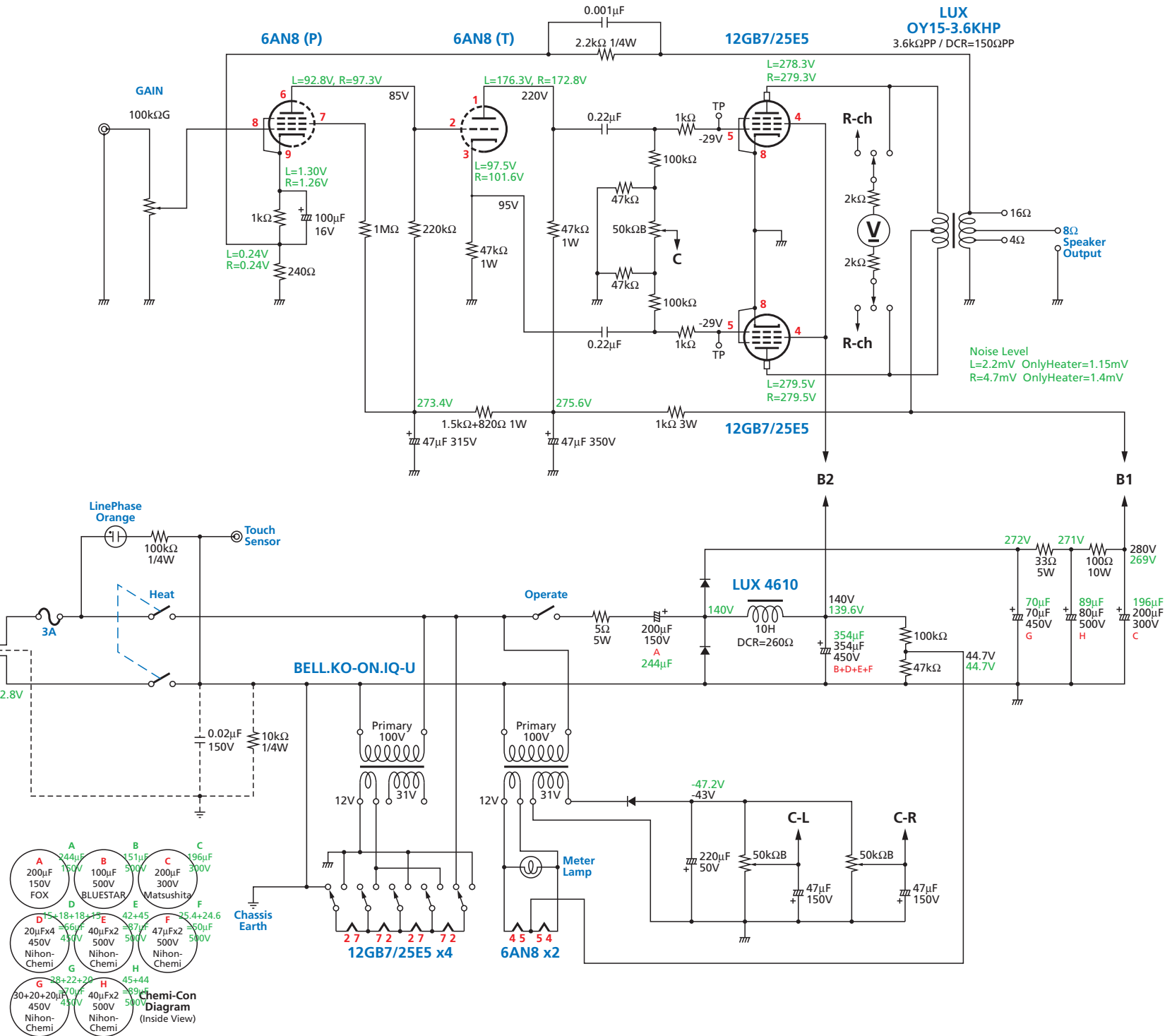


Max Operating

Eb=250V\* Eb=550V(cut off)  
Ec2=250V Ik=200mA  
Rg1=500kΩ(both Fix and K)  
Ehk+=250V Ehk-=200V

### Class B PP Amplifier

Eb=300V Ec2=150V  
Ec1=-29V RL=3.5kΩ  
InputSig 0Vrms 20Vrms  
Ib 2x18mA 2x100mA  
Ic2 2x0.5mA 2x19mA  
Po 0W 44.5W  
KF 0% 7.2%



Chemi-Con Diagram (Inside View)