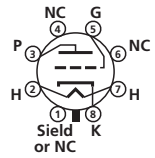


6AC5GT

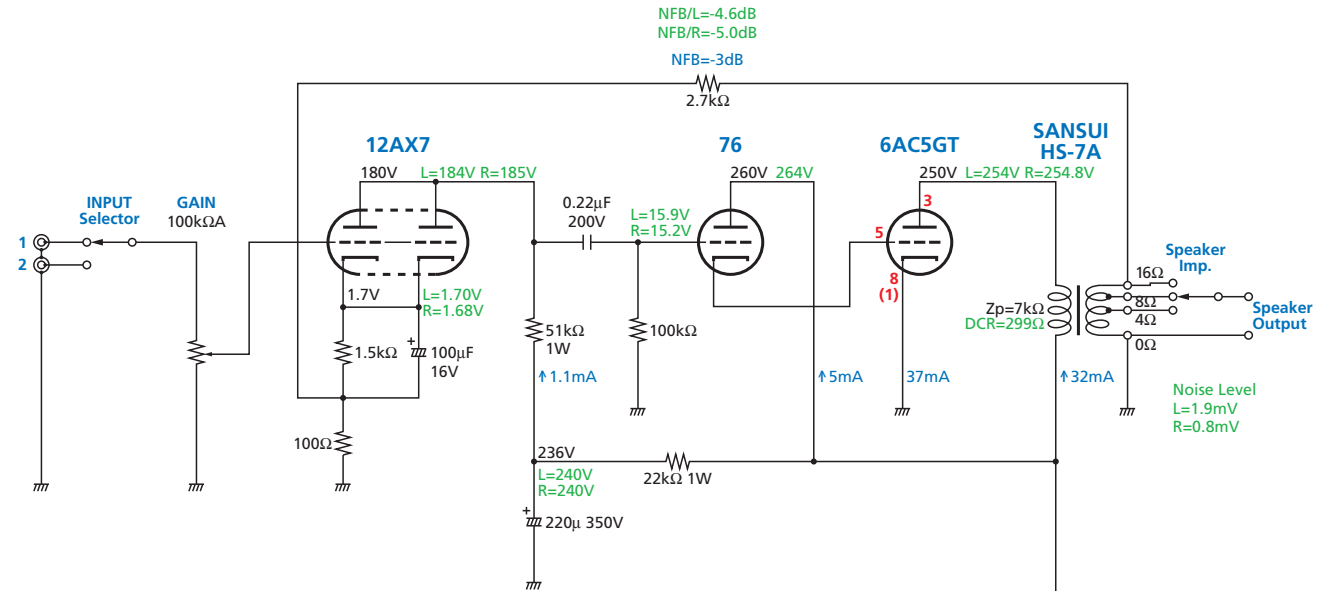


Eh=6.3V Ih=0.4A
Max Operating
 Eb=250V Ploss=10W
 Ib=110mA
 Ec=13V Ic=5mA
 Rg1=100kΩ(Fixed), 500kΩ(Self)
 Ehk+=90V Ehk-=90V

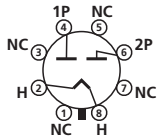
Dynamic Coupled Amplifier

Eb 250V
 Ec 0V
 Peak Ec 16.5V
 μ 125
 Rp(approx) 36.7kΩ
 gm 3400 μ mo
 Ib 32mA
 RL 7kΩ
 Po (approx) 3.7W
 THD 10%

Note: Dynamic Coupled Amplifier with type 76 driver.



5Y3GT



Eh=5.0V Ih=2.0A
Max Operating (Each Diode)
 Peak Inverse Plate Voltage 1400V
 Voltage Drop @ Current 50V @ 125 mA

Rectifier

Input Type	Capacitor	Capacitor	Choke	Choke
AC Plate Supply (Each Plate, RMS)	350V	500V	350V	500V
Input Capacitor	20 μ F	10 μ F	-	-
Input Inductor	-	-	10H	10H
Effective Plate Supply Impedance (Each Plate)	50 Ω	140 Ω	-	-
DC Half-Load Output Current	62.5mA	42mA	75mA	62.5mA
DC Half-Load Output Voltage	390V	610V	270V	405V
DC Output Current	125mA	84mA	150mA	125mA
DC Output Voltage	360V	560V	245V	380V
Voltage Regulation (Half-Load to Full-Load)	40V	50V	25V	15V

6X5GT

