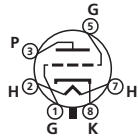


### 6GA4



Eh=6.3V Ih=0.75A

#### Max Operating

Eb=350V Ploss=13W

Ec=-100V

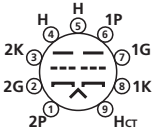
Rg1=250k(Fixed), 500k(Self)

Ehk+=100V Ehk-=100V

#### Class A1 Amplifier

Eb	250V	280V
Ec2	-	-
Ec	-18.5V	-21.5V
Rg	-	-
gm	7000mo	-
Rp	1.4k	-
	10	-
RL	5k	5k
Ib	49mA	57mA
Ic2	-	-
EsigRMS	13V	15V
Po	2.2W	3.2W
THD	5.0%	5.5%

### 12AT7



Eh=12.6V Ih=0.15A

6.3V 0.3A

#### Max Operating

Ebmax=300V Ploss=2.5W

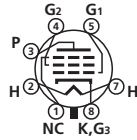
Ecmax=50V

Ehk+=90V Ehk-=90V

#### Class A1 Amplifier

Eb	100V	250V
Ib	3.7mA	10mA
Ec	-5V	-12V
Rk	270	200
Rp	15k	10.9k
gm	4000	5500
	60	60

### 6F6GT



Eh=6.3V Ih=0.7A

#### Max Operating

Eb=375V Ploss=11W

Eb=350V Ploss=10W (triode)

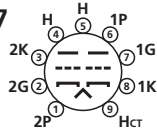
Ec2=285V C2loss=3.75W

Ehk+=90V Ehk-=90V

#### Class A1 Amplifier

Eb	250V	285V	250V
Ec2	250V	285V	Triode
Ec	-16.5V	-20V	-
Rg	410	440	650
gm	-	-	-
Rp	-	-	-
	-	-	-
RL	7k	7k	4k
Ib	34--35mA	38mA	31--32mA
Ic2	6.5--9.7mA	7--12mA	-
EsigRMS	-	-	-
Po	3.1W	4.5W	0.8W
THD	8.5%	9%	6.5W

### 12AX7



Eh=12.6V Ih=0.15A

6.3V 0.3A

#### Max Operating

Ebmax=300V Ploss=1.0W

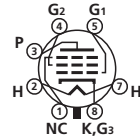
Ecmax=50V Ikmax=8mA

Ehk=180V

#### Class A1 Amplifier

Eb	100V	250V
Ib	0.5mA	1.2mA
Ec	-1.0V	-2.0V
EgMax---		1.3V
Rp	80k	62.5k
gm	1250	1600
	100	100

### 6V6GT



Eh=6.3V Ih=0.45A

#### Max Operating

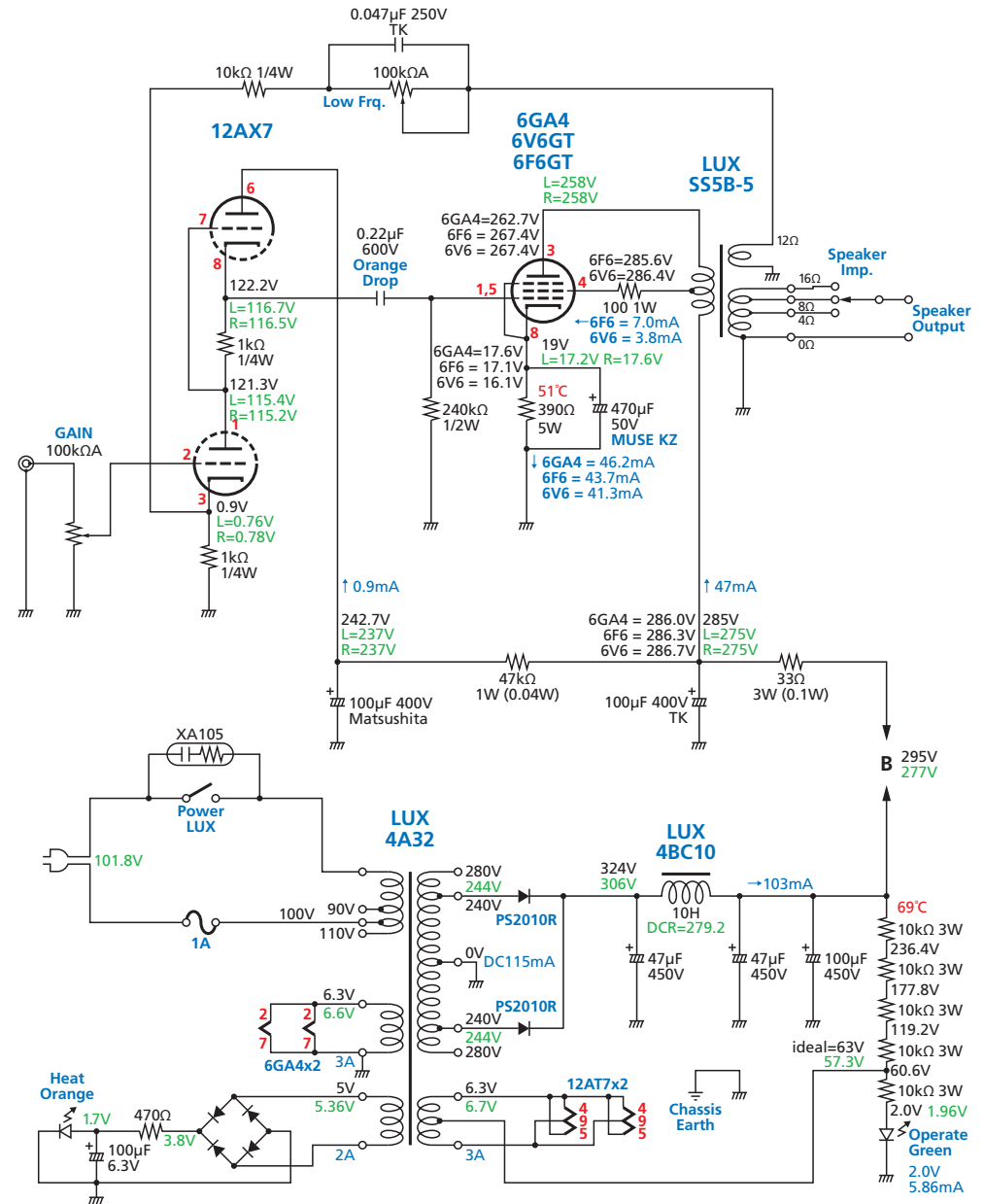
Eb=315V Ploss=12W

Ec2=285V C2loss=2W

Ehk+=90V

#### Class A1 Amplifier

Eb	250V	315V
Ec2	250V	225V
Ec	-12.5V	-13V
Rg	-	-
gm	4100mo	3750mo
Rp	50k	80k
	-	-
RL	5k	8.5k
Ib	45--47mA	34--35mA
Ic2	4.5--7mA	2.2--6mA
EsigRMS	-	-
Po	4.5W	5.5W
THD	8%	12%



	Ploss	G2loss
6GA4 =	11.3W / 13W = 87%	-
6F6 =	9.2W / 11W = 84%	1.9W / 3.75W
6V6 =	9.4W / 12W = 78%	1.0W / 2.00W