

6GA4



Eh=6.3V Ih=0.75A

Max Operating

Eb=350V Ploss=13W

Ec=-100V

Rg1=250k(Fixed), 500k(Self)

Ehk+=100V Ehk-=100V

Class A1 Amplifier

Eb 250V 280V

Ec2 - -

Ec -18.5V -21.5V

Rg - -

gm 7000mo -

Rp 1.4k -

10 -

RL 5k 5k

Ib 49mA 57mA

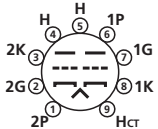
Ic2 - -

EsigRMS 13V 15V

Po 2.2W 3.2W

THD 5.0% 5.5%

12A7



Eh=12.6V Ih=0.15A

6.3V 0.3A

Max Operating

Ebmax=300V Ploss=2.5W

Ecmax=50V

Ehk+=90V Ehk-=90V

Class A1 Amplifier

Eb 100V 250V

Ib 3.7mA 10mA

Ec -5V -12V

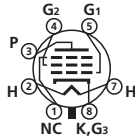
Rk 270 200

Rp 15k 10.9k

gm 4000 5500

60 60

6F6GT



Eh=6.3V Ih=0.7A

Max Operating

Eb=375V Ploss=11W

Eb=350V Ploss=10W (triode)

Ec2=285V C2loss=3.75W

Ehk+=90V Ehk-=90V

Class A1 Amplifier

Triode

Eb 250V 285V 250V

Ec2 250V 285V Triode

Ec -16.5V -20V -

Rg 410 440 650

gm - - -

Rp - - -

RL 7k 7k 4k

Ib 34--35mA 38mA 31--32mA

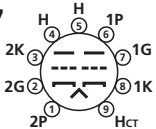
Ic2 6.5--9.7mA 7--12mA -

EsigRMS - - -

Po 3.1W 4.5W 0.8W

THD 8.5% 9% 6.5W

12AX7



Eh=12.6V Ih=0.15A

6.3V 0.3A

Max Operating

Ebmax=300V Ploss=1.0W

Ecmax=50V Ikmax=8mA

Ehk=180V

Class A1 Amplifier

Eb 100V 250V

Ib 0.5mA 1.2mA

Ec -1.0V -2.0V

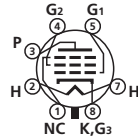
EgMax--- 1.3V

Rp 80k 62.5k

gm 1250 1600

100 100

6V6GT



Eh=6.3V Ih=0.45A

Max Operating

Eb=315V Ploss=12W

Ec2=285V C2loss=2W

Ehk+=90V

Class A1 Amplifier

Eb 250V 315V

Ec2 250V 225V

Ec -12.5V -13V

Rg - -

gm 4100mo 3750mo

Rp 50k 80k

RL 5k 8.5k

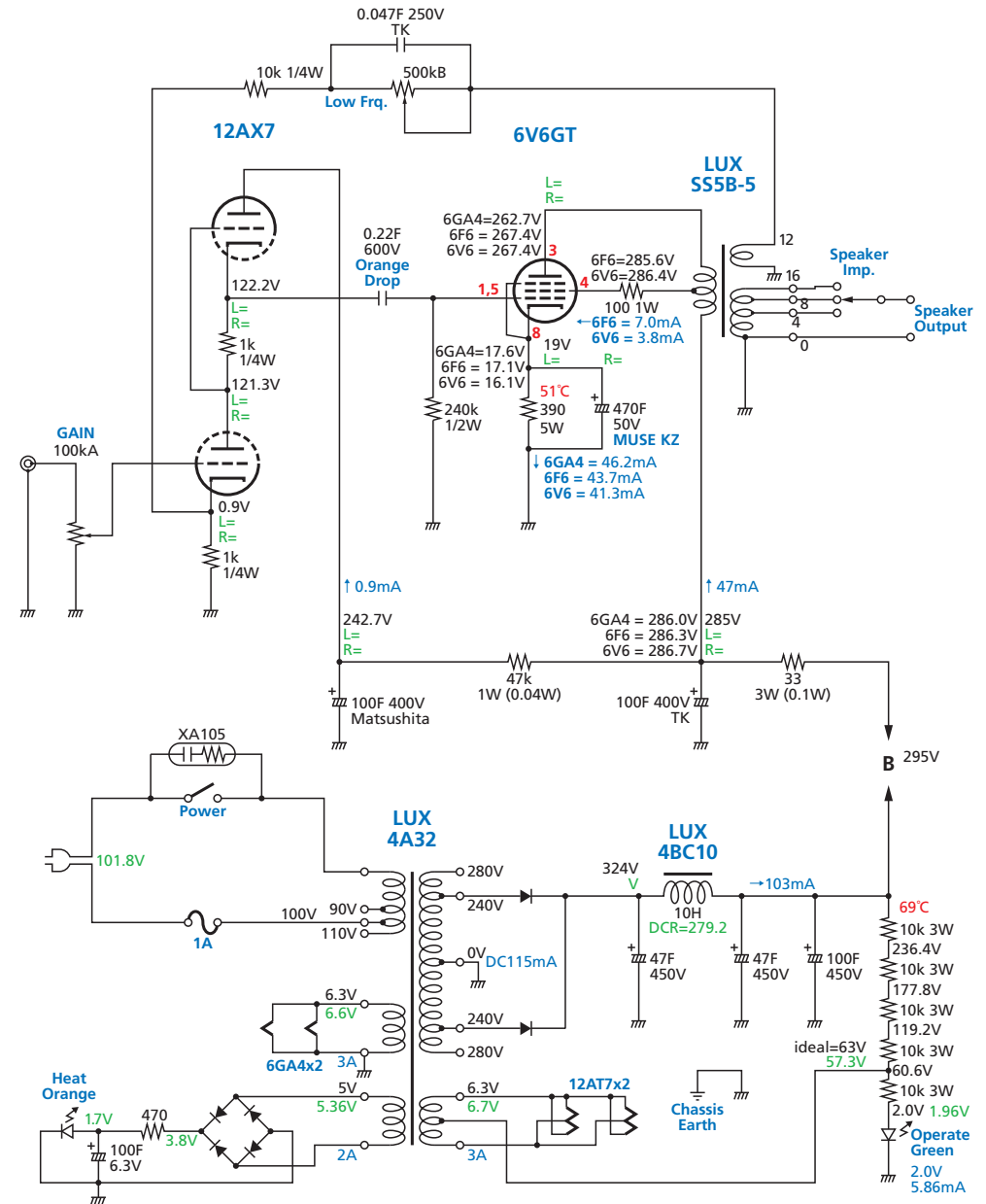
Ib 45--47mA 34--35mA

Ic2 4.5--7mA 2.2--6mA

EsigRMS - -

Po 4.5W 5.5W

THD 8% 12%



	Ploss	G2loss
6GA4	11.3W / 13W = 87%	-
6F6	9.2W / 11W = 84%	1.9W / 3.75W
6V6	9.4W / 12W = 78%	1.0W / 2.00W