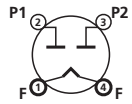
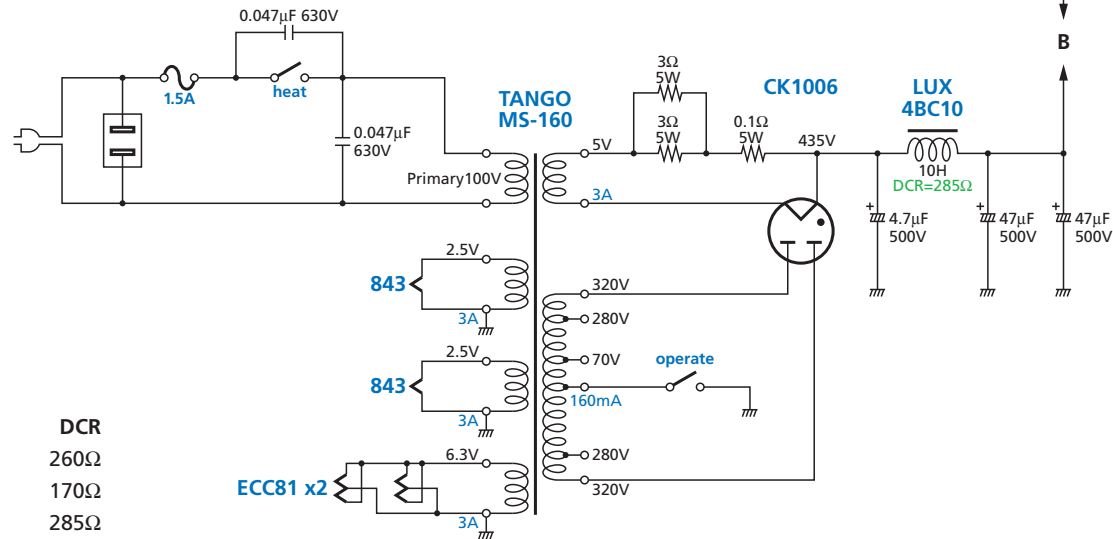
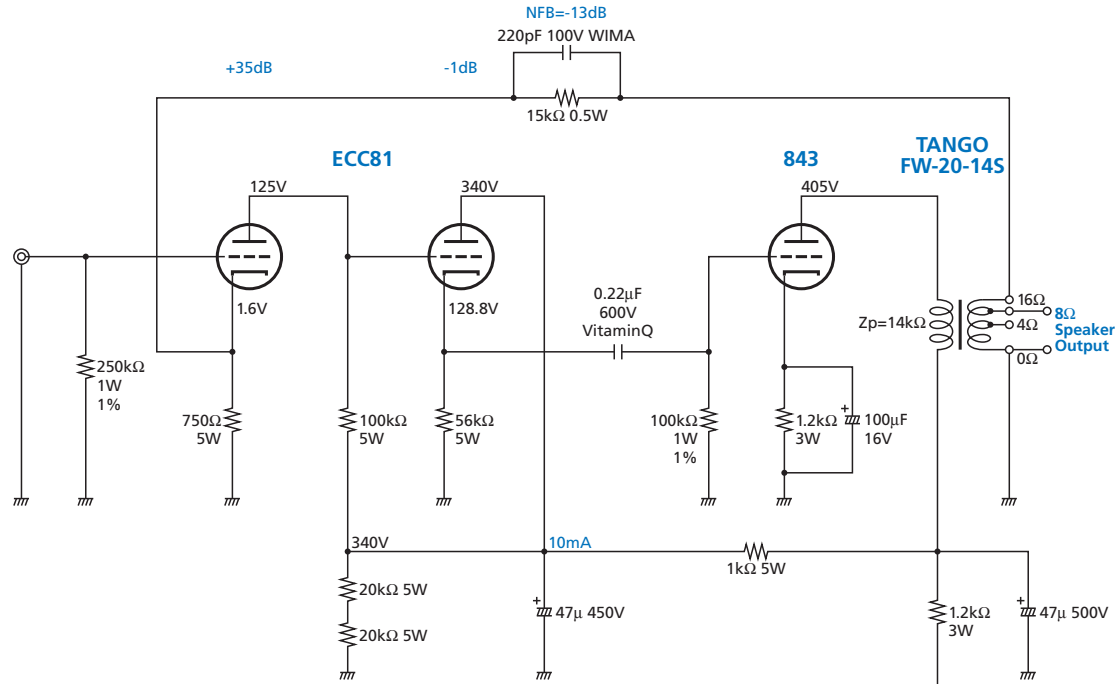


# CK1006



$E_f=1.75V$     $I_f=2A$   
 Output Current   200mA DC Max  
 Peak Inverse Plate Voltage   1600V  
 Average Tube Drop Voltage   15V



Choke No.	Price	Current	Max	DCR
LUX 4610	2,900	80mA	120mA	260Ω
LUX 4710	4,400	120mA	200mA	170Ω
LUX 4BC10	2,000	85mA	120mA	285Ω
LUX 5BC10	2,700	110mA	190mA	195Ω